

**EVALUATION REPORT OF
UNION CORRUGATING COMPANY
'24 GA. ML150 PANEL'**

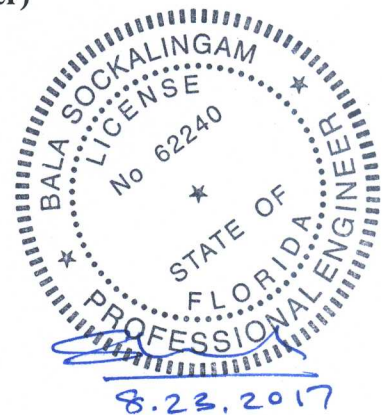
**FLORIDA BUILDING CODE 6TH EDITION (2017)
FLORIDA PRODUCT APPROVAL
FL 20484.7-R1
ROOFING
METAL ROOFING**

**Prepared For:
Union Corrugating Company
701 S. King St.
Fayetteville, NC 28301
Telephone: (910) 483-0479
Fax: (910) 483-1091**

**Prepared By:
Bala Sockalingam, Ph.D., P.E.
Florida Professional Engineer #62240
1216 N Lansing Ave., Suite C
Tulsa, OK 74106
Telephone: (918) 492-5992
FAX: (866) 366-1543**

**This report consists of
Evaluation Report (3 Pages including cover)
Installation Details (1 Page)
Load Span Tables (2 Pages)**

**Report No. C2175-7
Date: 8.23.2017**



Manufacturer: Union Corrugating Company

Product Name: ML150

Panel Description: Standing seam panel with max. 16.5" wide coverage and 1.5" high ribs

Materials: Minimum 24 ga., 50 ksi steel. Galvanized coated steel (ASTM A653) or Galvalume coated steel (ASTM A792) or painted steel (ASTM A755).

Deck Description: Min. 15/32" thick APA rated plywood or min. 3/4" thick wood plank (min SG of 0.42) for new and existing constructions. Designed by others and installed as per FBC 2017.

Underlayment: Minimum underlayment as per FBC 2017 Section 1507.4.5.1.

Slope: 1/4:12 or greater in accordance with FBC 2017 Section 1507.4.2

Design Uplift Pressure: With sliding or fixed clip and felt underlayment
52.5 psf @ clip spacing of 24" o.c. with 180° seam
84.0 psf @ clip spacing of 6" o.c. with 180° seam

With fixed clip and self-adhering underlayment
63.5 psf @ clip spacing of 24" o.c. with 90° seam
86.0 psf @ clip spacing of 24" o.c. with 180° seam
124.0 psf @ clip spacing of 6" o.c. with 180° seam

Panel Attachment: Sliding clip: Two piece 28 ga., 3" long stainless steel sliding clip with (2) #10-12 x 1" long pancake head wood screws per clip through felt underlayment into deck.

Fixed clip: One piece 26 ga., 3" long clip with (2) #10-12 x 1" long pancake head wood screws per clip through self-adhering underlayment into deck.

Test Standards: Roof assembly tested in accordance with UL580-06 'Uplift Resistance of Roof Assemblies' & UL1897-04 'Uplift Tests for Roof Covering Systems'.

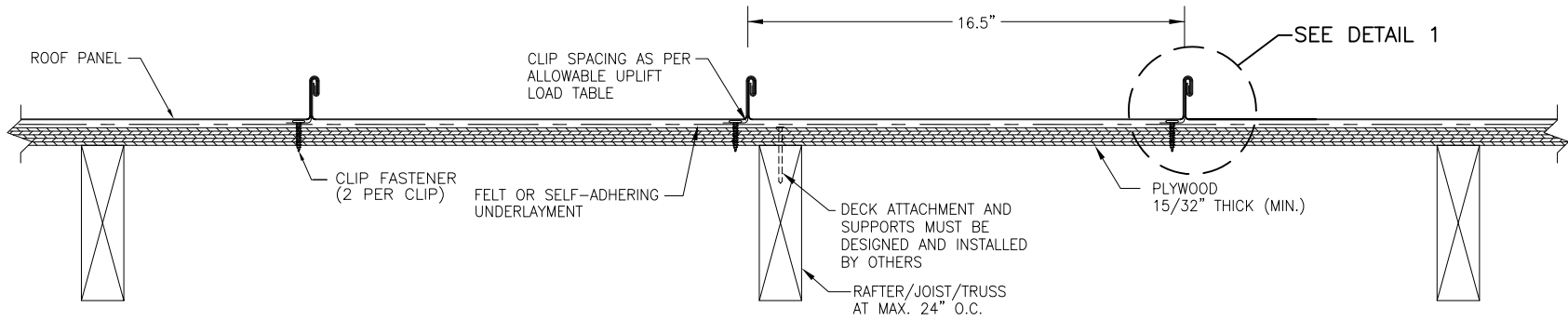
Test Equivalency: The test procedures in UL 1897-04 comply with test procedures prescribed in UL 1897-12.

Code Compliance: The product described herein has demonstrated compliance with FBC 2017 Section 1507.4.

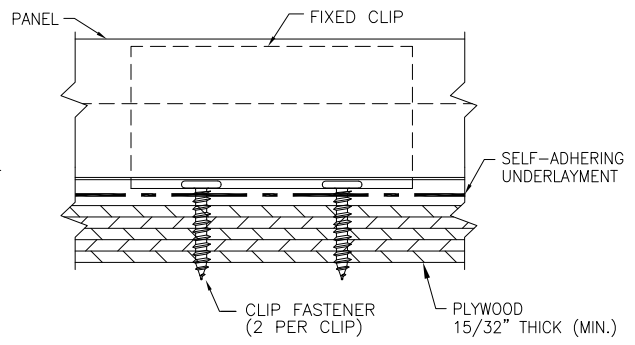
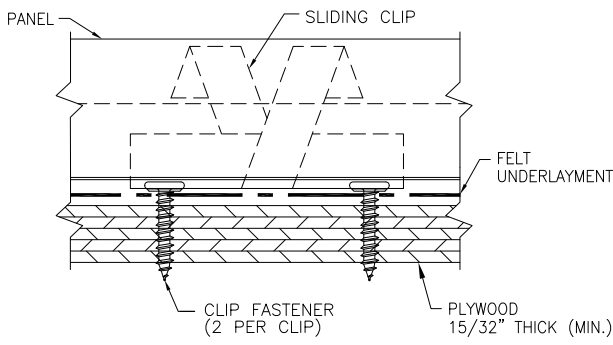
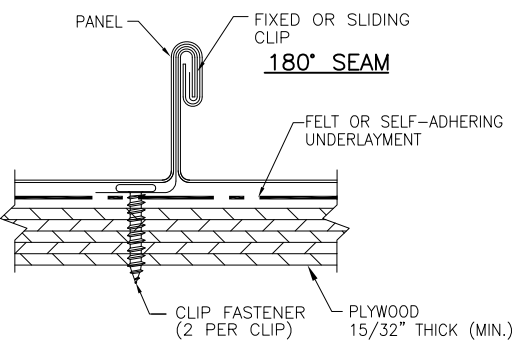
Product Limitations: Design wind loads shall be determined for each project in accordance with FBC 2017 Section 1609 or ASCE 7-10 using allowable stress design. Maximum clip spacing listed herein shall not be exceeded. The design pressure for reduced clip spacing may be computed using rational analysis prepared by a Florida Professional Engineer or based on Union load span tables. This product is not approved for use in the High Velocity Hurricane Zone. Fire classification is not within scope of this Evaluation Report. Refer to FBC 2017 Section 1505 and current approved roofing materials directory or ASTM E108/UL790 report from an accredited laboratory for fire ratings of this product.

Supporting Documents: UL580/UL1897 Test Reports
Farabaugh Engineering and Testing Inc.
Project No. T205-16, Reporting Date 5/16/16
Project No. T208-17, Reporting Date 7/7/17
Project No. T209-17, Reporting Date 7/7/17
Project No. T210-17, Reporting Date 7/7/17

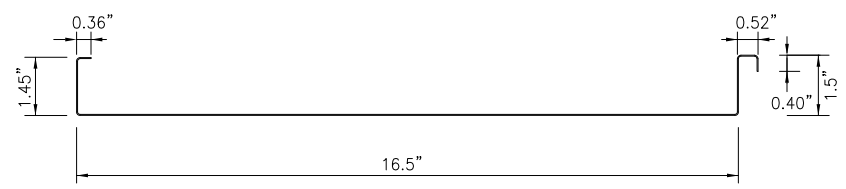
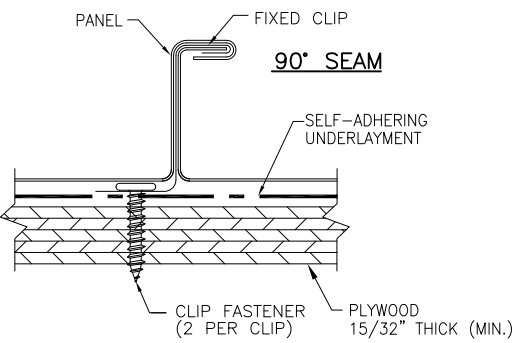
UL580 Roof Deck Construction No. 656



TYPICAL PANEL INSTALLATION X-SECTION



DETAIL 1



PANEL SECTION
(MIN 24 GA.)

GENERAL NOTES:

1. ARCHITECTURAL STANDING SEAM ROOF PANEL HAS BEEN DESIGNED IN ACCORDANCE WITH THE FLORIDA BUILDING CODE (FBC).
2. ROOF PANELS SHALL BE MIN. 24 GA. ($t = 0.023$). EFFECTIVE COVERING WIDTH OF PANEL = 16.5".
3. THE ROOF PANELS SHALL BE INSTALLED OVER STRUCTURE AS SPECIFIED ON THIS DRAWING.
4. REQUIRED DESIGN WIND LOADS SHALL BE DETERMINED FOR EACH PROJECT. THIS PANEL SYSTEM MAY NOT BE INSTALLED WHEN THE REQUIRED DESIGN WIND LOADS ARE GREATER THAN THE ALLOWABLE WIND LOAD TABLE.
5. CLIPS AND FASTENERS MUST BE IN ACCORDANCE WITH THIS DRAWING & FLORIDA BUILDING CODE. IF A DIFFERENCE OCCURS BETWEEN THE MINIMUM REQUIREMENTS OF THIS DRAWING & THE CODE, THE CODE SHALL CONTROL.
6. DECK AND SUPPORTS MUST BE DESIGNED TO WITHSTAND WIND LOADS AS REQUIRED FOR EACH APPLICATION AND ARE THE RESPONSIBILITY OF OTHERS.

DRAWN BY: B.S.	CHECKED BY: J.S.
PLOT: DATE: 8/21/17	DATE: 8/21/17
DATE:	
BY:	
REVISION DESCRIPTION:	
NO:	
DRAWING TITLE ML150 STANDING SEAM ROOF PANEL	
CONSULTANTS BALA SOCKALINGAM, PH.D., P.E.	
MANUFACTURER UNION CORRUGATING COMPANY	
1216 N LANSING AVE, SUITE C FAYETTEVILLE, NC 28302 PHONE: 918-492-5992 FAX: 866-366-1543	
DRAWING NO. 2175-7	REV.
PAGE NO. 1	OF 1

UNION CORRUGATING COMPANY
ML150 Panel Uplift Loads with Sliding or Fixed Clips
(Min 24 ga.)
With Felt Underlayment

Description	Clip Spacing Along Panel Length (in)	Allowable Uplift Load (psf)
Maximum Coverage width: 16.5" Seam: 180° 28 ga. ML150 Sliding Stainless Steel Clip or 26 ga. ML150 Fixed Steel Clip Clip Fasteners: (2) #10-12 x 1" long pancake head screws	6	84.0
	8	80.5
	10	77.0
	12	73.5
	14	70.0
	16	66.5
	18	63.0
	20	59.5
	22	56.0
	24	52.5

Notes:

1. The bold numbers indicate design loads calculated from test data with safety factor of 2.
2. Panels must be installed as per Evaluation Report FL 20484.7 and Union current installation procedure.



8.23.2017

1216 N Lansing Ave., Suite C
 Tulsa, Ok 74106
 918 492 5992

Bala Sockalingam, Ph.D., P.E.
 FL 62240

UNION CORRUGATING COMPANY
ML150 Panel Uplift Loads with Fixed Clips
(Min 24 ga.)
With Self-Adhering Underlayment

Description	Clip Spacing Along Panel Length (in)	Allowable Uplift Load (psf)
Maximum Coverage width: 16.5" Seam: 180° 26 ga. ML150 Fixed Steel Clip Clip Fasteners: (2) #10-12 x 1" long pancake head screws	6	124.0
	8	119.8
	10	115.6
	12	111.3
	14	107.1
	16	102.9
	18	98.7
	20	94.4
	22	90.2
	24	86.0

Notes:

1. The bold numbers indicate design loads calculated from test data with safety factor of 2.
2. Panels must be installed as per Evaluation Report FL 20484.7 and Union current installation procedure.



1216 N Lansing Ave., Suite C
 Tulsa, Ok 74106
 918 492 5992

Bala Sockalingam, Ph.D., P.E.
 FL 62240